



Penetrator CB Antennas

- 3/8" Stainless Steel Shafts
- Harder Than Steel Insulators
- Chrome Plated Coils
- Stainless Steel 17-7 ph Tempered .118" (3mm) Tapered Whip
- Standard 3/8" x 24 Thread Mounting

Sparrows

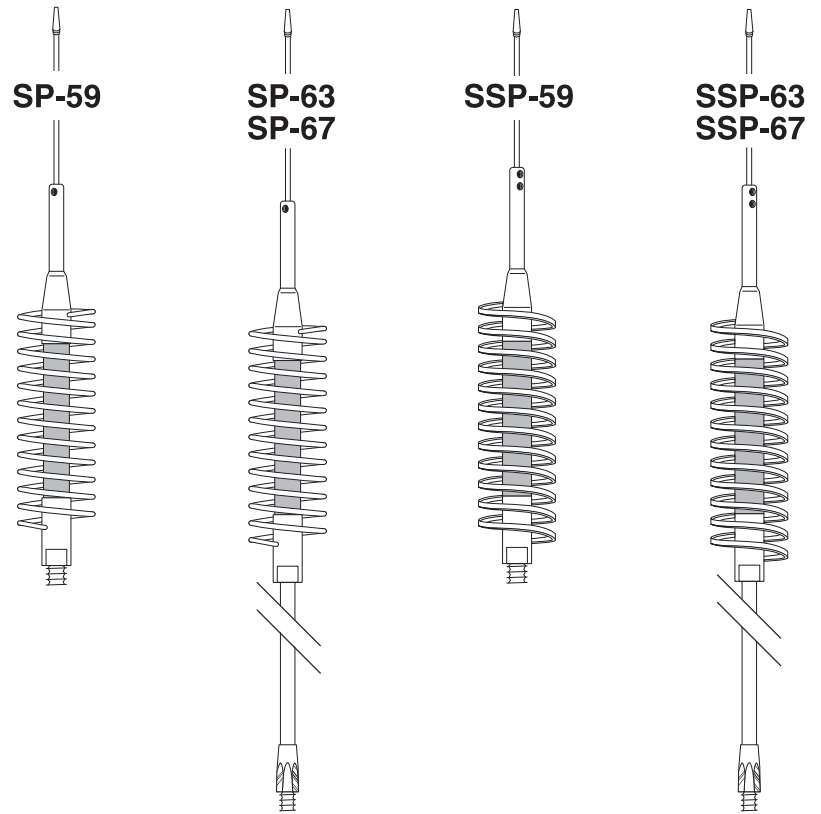
- 5,000 Watts, 26-30 MHz

Model	Shaft	Whip	Height
SP-59	-	51"	59"
SP-63	6"	49 1/4"	63"
SP-67	16"	44 1/2"	67"

Super Sparrows

- 6,000 Watts • 26-30 MHz
- Square Coils For 20% More Gain

SSP-59	-	51"	59"
SSP-63	6"	49 1/4"	63"
SSP-67	16"	44 1/2"	67"



CB Magnet Kit

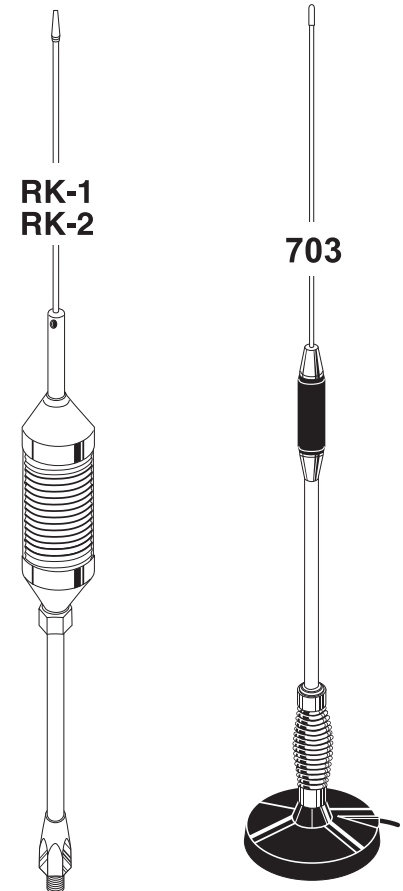
- 17 Ft. Premium 95% Copper Shield RG-58/U w/PL-259
- SWR Below 1.7:1 Across CB Band 26.965-27.405 MHz
- 3 1/2" Magnet • Spring • Stainless Steel Shaft & Whip

Model	Shaft	Whip	Height
703	-	-	24 1/2"

Rocket - Oil Filled Coils

- 3/8" Stainless Steel Shaft
- Heavy Duty, High Grade Copper Loading Coil Offers Greater Field Strength
- 6 dB
- Stainless Steel 17-7 pH tempered .118" (3 mm) Tapered Whip
- Standard 3/8" x 24 Thread Mounting

Model	Shaft	Whip	Height
RK-1	6"	44 1/2"	55"
RK-2	15"	41 1/2"	61"



TRAM® "THE ORIGINAL"

"Poly Bag w/Header Card UPC Coded"

Penetrator Manufacturer
Only **TRAM**® Has Stainless Steel Shafts