

Model	Description	Connector
GPS-M-SMA	Magnet	SMA
GPS-M-MCX SMA	Magnet	SMA
GPS-M-BNC	Magnet	BNC
GPS-M-MCX	Magnet	MCX
GPS-M-SMB	Magnet	SMB
GPS-NMO	NMO Mount	No-Conn.

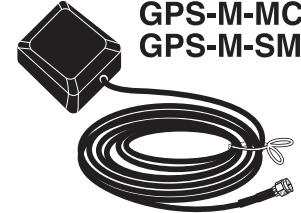
Electrical Specification

Input voltage	2.5 V - 5.5 V
Power consumption	at 3.0 V < 15 mA, at 5.0 V < 22 mA
Cable	17 Ft. RG 174
Antenna	
Frequency range	1575.42 ± 1.023 MHz
Gain	90° : 2.0 dBj Min 20° : 5.0 dBj Min (Mounted on the 60 mm Square ground plane)
LNA	
Frequency range	1575.42 ± 1.023 MHz
Gain	28 ± 4.5 dB (+ 25°C ± 5°C)
Noise figure	1.5 dB Max. (+ 25°C ± 5°C) 2.2 dB Max. (+ 85°C)
Out band rejection	fo = 1575.42 MHz fo ± 20 MHz 7 dB Min fo ± 30 MHz 12 dB Min fo ± 50 MHz 20 dB Min fo ± 1000 MHz 30 dB Min
Output impedance	50
Output VSWR	2.0 Max

Model	Description	Gain
1655	<ul style="list-style-type: none"> • 1" - 14 thread mounting • 23 ft. RG-58A/U w/BNC connector w/#1631 nylon ratchet mount 	30 dB

GPS-M-SMA
GPS-M-MCX SMA
GPS-M-BNC
GPS-M-MCX
GPS-M-SMB

GPS-NMO

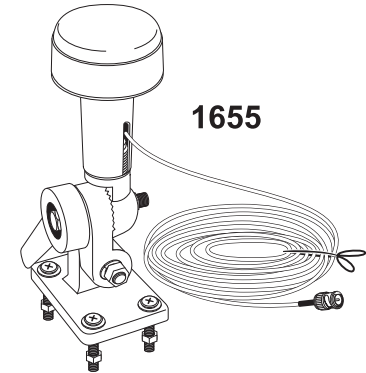


Dual Band Mobile Systems GPS/VHF - GPS/UHF - GPS/Cellular

- 3/4" hole mount
- 17 ft. RG-58U w/loose connector
- 17 ft. RG-174 w/SMA installed

GPS/VHF or UHF 1/4 wave - 10 MHz Band Width

Model	Frequency	Connectors	Whip
1560-UHF 1560-MUHF 1560-N	136-174 MHz or 450-470 MHz 1575.42 MHz	Loose UHF Male or Mini-UHF Male or N-Male SMA Male installed	20 1/2"



GPS/UHF 4 dB Gain - 10 MHz Band Width

1565-UHF 1565-MUHF 1565-N	445-470 MHz 1575.42 MHz	Loose UHF Male or Mini-UHF Male or N-Male SMA Male installed	28 3/4"
1565-TNC	445-470 MHz 1572.42 MHz	TNC Male installed SMA Male installed	28 3/4"

GPS/Cellular 3 dB Gain - 70 MHz Band Width

1571-UHF 1571-MUHF 1571-N	806-866 MHz 1575.42 MHz	Loose UHF Male or Mini-UHF Male or N Male SMA Male installed	15 9/16"
---------------------------------	----------------------------	---	----------

GPS/Cellular 5 dB Gain - 70 MHz Band Width

1576-UHF 1576-MUHF 1576-N	806-866 MHz 1575.42 MHz	Loose UHF Male or Mini-UHF Male or N Male SMA Male installed	21 7/16"
---------------------------------	----------------------------	---	----------

